

GreenTek®

Trusted by the best in the game

DYNA-SPIKER

OPERATOR'S MANUAL



INTRODUCTION

Congratulations with the purchase of your MAREDO®. To ensure the safe and long lasting operation of the MAREDO machine, you and anyone using the machine, should read and understand this user's manual.

Also ensure that you understand and practice the safety rules, as described in this manual.

This MAREDO machine is delivered accomplished by a guarantee against material and assembly errors. This guarantee applies for a period of 12 months, as from the date of purchase.

IMPORTANT

The required (hydraulic) power depends on the working depth, soil conditions, working speed etc. The ambient temperature and the greens mower condition determine the available capacity of the greensmower. Everybody should check and control the greensmower during work to prevent overloading. MAREDO DOES NOT TAKE ANY LIABILITY FOR GREENSMOWER DAMAGES

Note:

For a safe operation it is essential, that the operator reads and understands the manual of the Maredo machine. MAREDO BV, RIJKSSTRAATWEG 16, 3956 CR LEERSUM, HOLLAND. WWW.MAREDO-BV.COM. EN 1106

SAFETY INSTRUCTIONS

1. Never disconnect or shortcut any of the safety devices.
2. Every MAREDO user must be fully informed and understand the safe use of the MAREDO machine.
3. Inspect the ground, where the MAREDO machine is to be applied. Remove loose obstacles, avoid uneven areas.
4. Drive carefully during work and during transport.
5. Ensure that other people are standing at least 4 mtr./ 12 ft away from the MAREDO machine during work and transportation.
6. Use appropriate clothing. Wear strong shoes with steel enforced toecaps, long trousers, gloves, tie up long hair and use protection glasses for the eyes.
7. Never overload the MAREDO.
8. Check the MAREDO minimal once a week, to ensure there are no loose bolts and nuts. Check for damages too and repair it.
9. The MAREDO may never be used without protection covers and safety decals.

10. Use only original MAREDO spare parts, in order to ensure the safe operation of the machine.
11. Never use the MAREDO in the dark, in heavy rains, on frozen grounds, stony conditions and/ or on slopes steeper than 30 degrees.
12. Maintain a log book of repairs
13. Be aware that changes to the MAREDO, releases MAREDO from any CE regulations.
14. Wear certified ear protection against any noise, if the machine is used for more than 2 hours.

TECHNICAL SPECIFICATIONS

Model : GT 210 05

Working width : 520 mm/ 21" per head

Working depth : 5 -35 mm/ 0.25- 1.5".

Hole spacing : 40 x 45 mm/ 1,50 x 1.77"

Number of holes : 700 per m² / 560 per sq. yd.

Driving speed : 0.5- 5.0 km/h / 0.3- 3 mph

Weight : 39 Kg/ 86 lbs per head.

TIPS / RECOMMENDATIONS

1. Do not use the spiker unit in very wet conditions.
2. Clean the unit regularly with air or low pressure water. DO NOT USE HIGH PRESSURIZED WATER.
3. If the centre hydraulic motors do hit each other (TORO), you can place the front units a little offset.
4. Play with the engine throttle and the driving speed, if the holes do not look nice. Too much vibration in weak turf may cause damages. Reduce engine revs or increase forward speed.
5. You may use the heads without drive. For that it is the best you remove the hydraulic motors from the heads.
6. Be careful when dropping the units on a hard (concrete) floor. PUT SOMETHING UNDERNEATH TO PROTECT THE SPIKES, PLATES OR ROLLERS.
7. Check bolts and nuts regularly.
8. START AND STOP PROCEDURE: Set the engine throttle at appr. 75%. Drop the units and move forwards. Increase throttle if necessary (otherwise stay at 75%). At the end of the pass, reduce engine rpm till 75% and raise the units. NOTE: Because the spikes start spinning when dropping the heads, they may hurt the turf. Start with lower rev's, outside the green or engage the drive of the heads when the spikes are in contact with the soil (if possible).

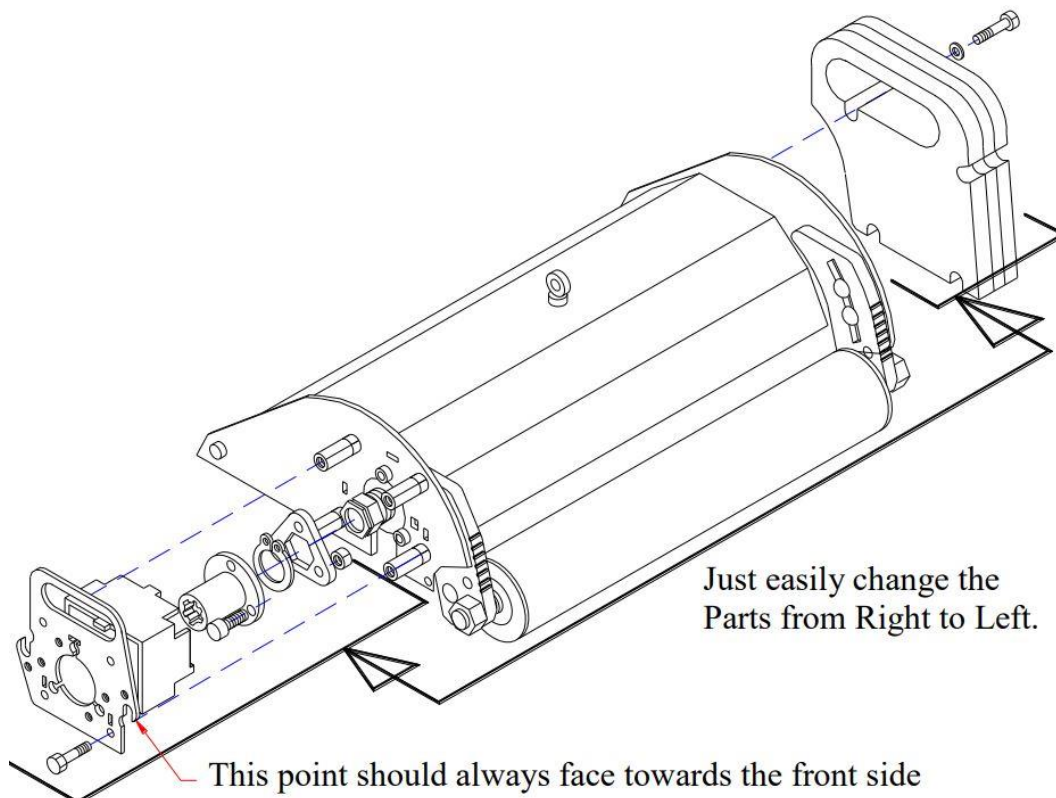
9. You can make curves with the units during work, BUT DO NOT MAKE TIGHT CURVES. Damage to the units and green may appear.
10. CHECK THE (HYDRAULIC) DRIVE OF THE GREENSMOWER REGULARLY. DO NOT OVERLOAD THE GREENMOWER. MAREDO IS NOT RESPONSIBLE FOR DAMAGES TO THE GREENSMOWER.
11. As an option, a trolley is available, that can be easily connected to each head. Next you can easily roll the head in and out the greensmower.
12. You can set the depth by changing the front roller position. Set both side at the same position.
13. As options, we have more different types of spike tools available, that fit on the main sections. Either thinner spikes or even continuous disks. The vibration help them doing the work, like with the standard spikes.

FIRST SETUP

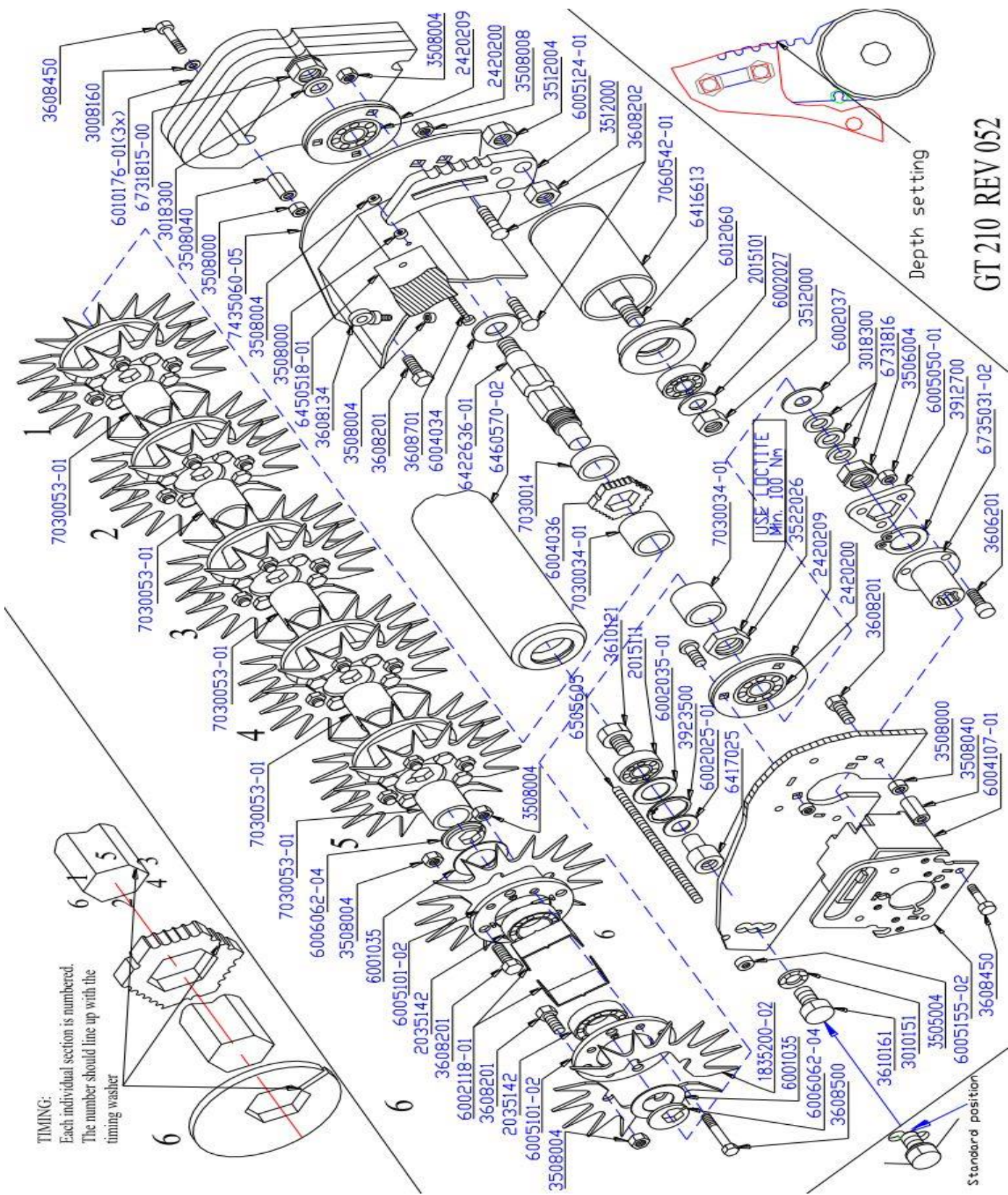
The GreensmowerTools are delivered as a standard Right Hand driven base unit. We have to add the parts kit to mount the unit to a certain model greensmower, see the instructions supplied with the parts kit itself. We also may need to change the drive side of one unit, depending on the greensmower model. Here under the change from Right to Left Hand Drive is explained.

CHANGING THE DRIVE SIDE

Just easily change the Parts from Right to Left. This point should always face towards the front side



DYNA-SPIKER



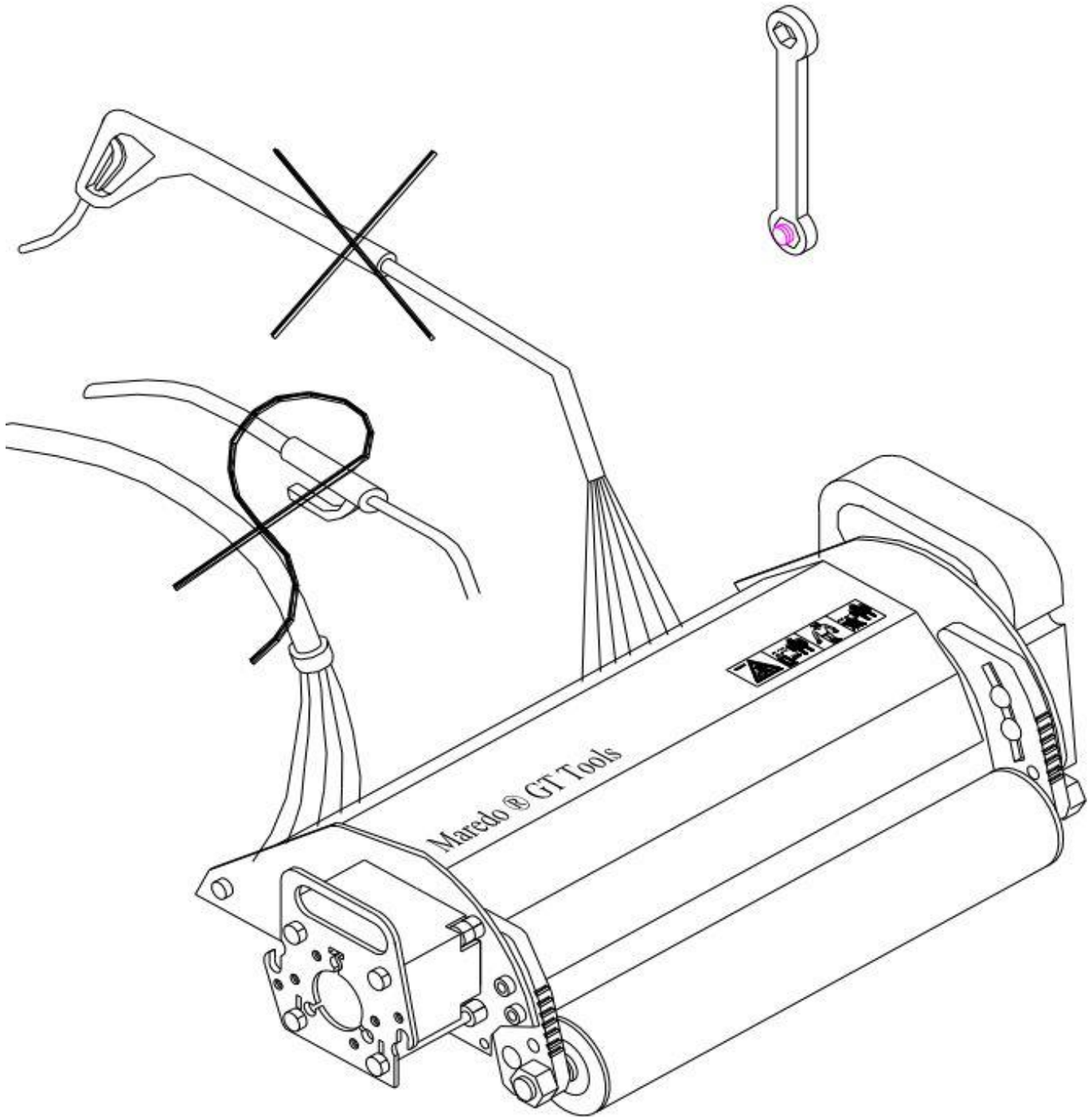
TIMING:

Each individual section is numbered. The number should line up with the timing washer

GT 210 REV 052

MAINTENANCE

CHECK BOLTS
AND NUTS REGULARLY



EU DECLARATION

We, MAREDO, Rijksstraatweg16, 3956CR. Leersum, Holland, hereby declare fully on our authority, that the product with serial number as indicated on the machine and in this manual, to which this declaration applies, has been manufactured in line with NEN-EN 292-1, NEN-EN 292-2 and NEN-EN 294, according to the stipulations of The Machine Directive 89/392, updated 93/368/ EEG, 93/44/EEG end 93/68/ EEG.



Marinus Reincke Maredo BV Holland.

GUARANTEE

We guarantee that should any defect in materials or workmanship occur within 24 months of the date of purchase we will repair, or at our option, replace the defective part free of charge provided that the fault is reported to us immediately it becomes apparent.

Damage caused by normal wear, misuse or in transit is not covered by this guarantee.

CONTACT US

For further information, support or advice please contact:

info@greentek.uk.com

+44 (0)113 267 7000